



WASHWARE ESSENTIALS LTD

Hospital Lever Operated Taps

Product Code LSTAP6

Chrome plated lever operated sink tap with 6 inch operating lever. Ideal for wrist or elbow operation. Supplied in pairs.

6" (152mm) chrome plated metal levers.

Chrome plated brass body.

Quarter turn ceramic disc valves. 1/2" valve and inlet.

Metal back nuts.

WRAS approved.

5 years manufacturers warranty against defects.



Product Code LBIB6

Chrome plated 6 inch lever bib taps. Ideal for wrist or elbow operation.

Supplied in pairs.

6" (152mm) chrome plated metal levers.

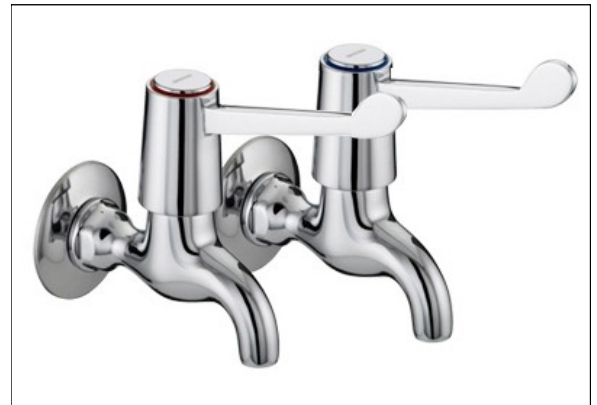
Chrome plated brass body.

Quarter turn ceramic disc valves. 1/2" valve and inlet.

Removable round wall plate.

WRAS approved.

5 years manufacturers warranty against defects.



Wall Plate Elbows

Chrome plated wall plate elbows for converting concealed water supply bib taps to surface water supply.

Extensions

Bib tap extensions available in 50mm, 80mm, and 100mm lengths

Wall Plate Elbows



Extensions



[Click here to visit Washware Essentials website](#)

WASHWARE ESSENTIALS LTD

Kestrel Court
Harbour Road
Portishead
Bristol
BS20 7AN

Phone: 01275 390603

Web: www.washwareessentials.co.uk

E-mail: enquiries@washwareessentials.co.uk

We also supply: stainless steel urinals, stainless steel & china toilets, drinking fountains and water coolers, wash troughs and wash basins, hospital sluice sinks and slop hoppers, stainless steel & china cleaners sinks, catering sinks & tables, washroom accessories, Armitage Shanks DocM packs and disabled use WC pans, solid surface wash troughs and basin units.

[Please contact us for prices on any of your requirements.](#)

EVERYTHING YOU NEED TO FIT OUT A COMMERCIAL WASH ROOM SUPPLIED AT THE RIGHT PRICE ON TIME



WASHWARE ESSENTIALS LTD

HTM64 Wall Mounted Lever Hospital Thermostatic Tap

Product Code 6761

Description

The HTM64 TMV3 approved thermostatic hospital taps are purposely designed for use in hospitals, healthcare and commercial applications. Complies with NHS D08 specifications. The long sequential lever rotates smoothly through 180° and can be operated easily by either the wrist or elbows making it ideal for use in scrub areas, consulting rooms, doctors surgeries or anywhere that hygiene is paramount. The taps offer the following:

- Wall mounted for through wall water supply.
- Easy-to-use sequential lever control for temperature and flow.
- Complies with NHS D08 (formerly HTM64 Type TB H2a, and HBN 00-10) specifications.
- Safe-touch surface temperature, guarding against burns.
- Fully draining removable spout.
- Integral flushing system assists legionella control.
- Automatic thermostatic shutoff in the event of hot or cold water supply failure.
- Easy access to serviceable parts, reducing down time.
- Adjustable fixing tails to accommodate hole centres of 150 50 200mm

Pressures

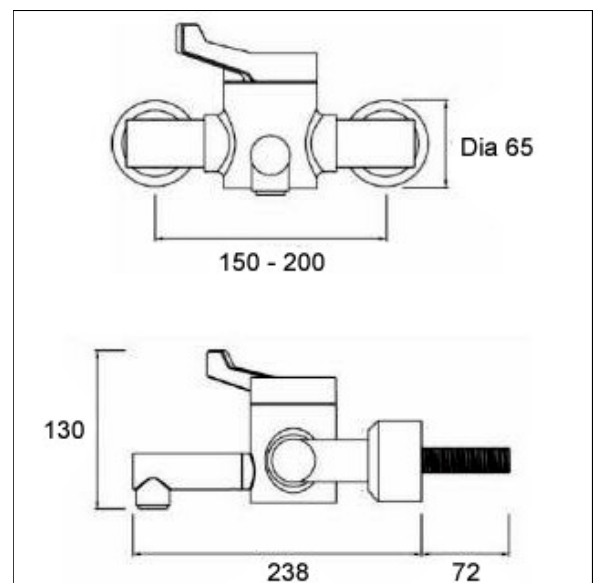
Maximum dynamic pressure: 5 bar

Maximum static pressure: 10 bar

Temperatures

Factory preset temperature: 43°C

Maximum hot water supply temperature: 80°C



[Click here to visit Washware Essentials website](#)

WASHWARE ESSENTIALS LTD

Kestrel Court
Harbour Road
Portishead
Bristol
BS20 7AN

Phone: 01275 390603

Web: www.washwareessentials.co.uk

E-mail: enquiries@washwareessentials.co.uk

We also supply: stainless steel urinals, stainless steel & china toilets, drinking fountains and water coolers, wash troughs and wash basins, hospital sluice sinks and slop hoppers, stainless steel & china cleaners sinks, catering sinks & tables, washroom accessories, Armitage Shanks DocM packs and disabled use WC pans, solid surface wash troughs and basin units.

[Please contact us for prices on any of your requirements.](#)

**EVERYTHING YOU NEED TO FIT OUT A COMMERCIAL
WASH ROOM
SUPPLIED AT THE RIGHT PRICE ON TIME**



WASHWARE ESSENTIALS LTD

HTM64 Deck Mounted Lever Hospital Thermostatic Tap

Product Code 6765

Description

The HTM64 TMV3 approved thermostatic hospital taps are purposely designed for use in hospitals, healthcare and commercial applications. Complies with NHS D08 specifications. The long sequential lever rotates smoothly through 180° and can be operated easily by either the wrist or elbows making it ideal for use in scrub areas, consulting rooms, doctors surgeries or anywhere that hygiene is paramount. The taps offer the following:

- Deck mounted.
- Easy-to-use sequential lever control for temperature and flow.
- Complies with NHS D08 (formerly HTM64 Type TB H2a and HBN 00-10) specifications.
- Safe-touch surface temperature, guarding against burns.
- Integral flushing system assists legionella control.
- Automatic thermostatic shutoff in the event of hot or cold water supply failure.
- Easy access to serviceable parts, reducing down time.
- Adjustable fixing tails to accommodate hole centres of 150 50 200mm

Pressures

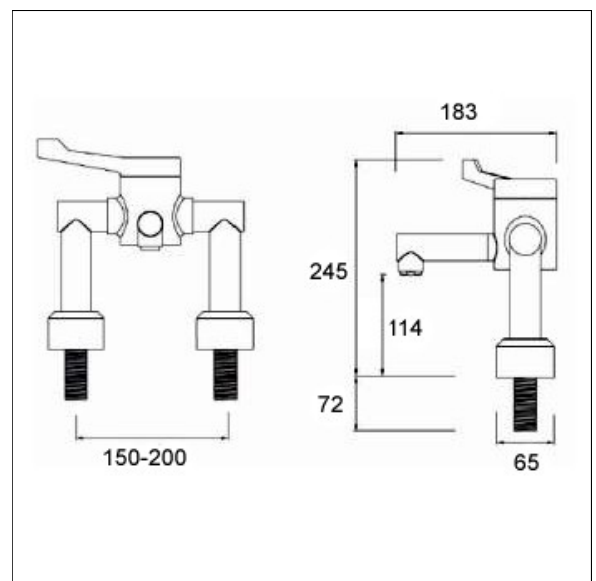
Maximum dynamic pressure: 5 bar

Maximum static pressure: 10 bar

Temperatures

Factory preset temperature: 43°C

Maximum hot water supply temperature: 80°C



[Click here to visit Washware Essentials website](#)

We also supply: stainless steel urinals, stainless steel & china toilets, drinking fountains and water coolers, wash troughs and wash basins, hospital sluice sinks and slop hoppers, stainless steel & china cleaners sinks, catering sinks & tables, washroom accessories, Armitage Shanks DocM packs and disabled use WC pans, solid surface wash troughs and basin units.

[Please contact us for prices on any of your requirements.](#)

EVERYTHING YOU NEED TO FIT OUT A COMMERCIAL WASH ROOM SUPPLIED AT THE RIGHT PRICE ON TIME

WASHWARE ESSENTIALS LTD

Kestrel Court
Harbour Road
Portishead
Bristol
BS20 7AN

Phone: 01275 390603

Web: www.washwareessentials.co.uk

E-mail: enquiries@washwareessentials.co.uk



WASHWARE ESSENTIALS LTD

Markwik 21 HTM64 Wall Mounted Lever Hospital Thermostatic Tap

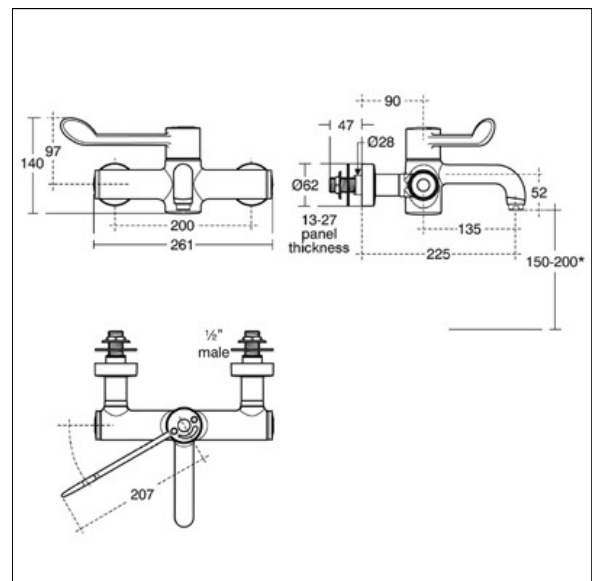
Product Code A6060AA

Armitage Shanks Markwik 21 A6060AA Thermostatic hospital tap.

Description

The HTM64 TMV3 approved thermostatic hospital taps are purposely designed for use in hospitals, healthcare and commercial applications. The long sequential lever rotates smoothly through 180° and can be operated easily by either the wrist or elbows making it ideal for use in scrub areas, consulting rooms, doctors surgeries or anywhere that hygiene is paramount. The taps offer the following:

- Wall mounted for through wall water supply.
- Easy-to-use sequential lever control for temperature and flow.
- Complies with HTM64 Type TB H2a, HTM04, HFN30.
- Safe-touch surface temperature, guarding against burns.
- Integral built in sterilisation cleansing feature (requires optional Sterilisation kit)
- Easy access to serviceable parts, reducing down time.
- This product is fitted with an Armitage Bioguard outlet which reduces the opportunity for bio film attachment and is lined with anti-microbial copper.



[Click here to visit Washware Essentials website](#)

WASHWARE ESSENTIALS LTD

Kestrel Court
Harbour Road
Portishead
Bristol
BS20 7AN

Phone: 01275 390603

Web: www.washwareessentials.co.uk

E-mail: enquiries@washwareessentials.co.uk

We also supply: stainless steel urinals, stainless steel & china toilets, drinking fountains and water coolers, wash troughs and wash basins, hospital sluice sinks and slop hoppers, stainless steel & china cleaners sinks, catering sinks & tables, washroom accessories, Armitage Shanks DocM packs and disabled use WC pans, solid surface wash troughs and basin units.

[Please contact us for prices on any of your requirements.](#)

**EVERYTHING YOU NEED TO FIT OUT A COMMERCIAL
WASH ROOM
SUPPLIED AT THE RIGHT PRICE ON TIME**



WASHWARE ESSENTIALS LTD

Markwik 21 Sensor Operated Time Flow Hospital Thermostatic Tap

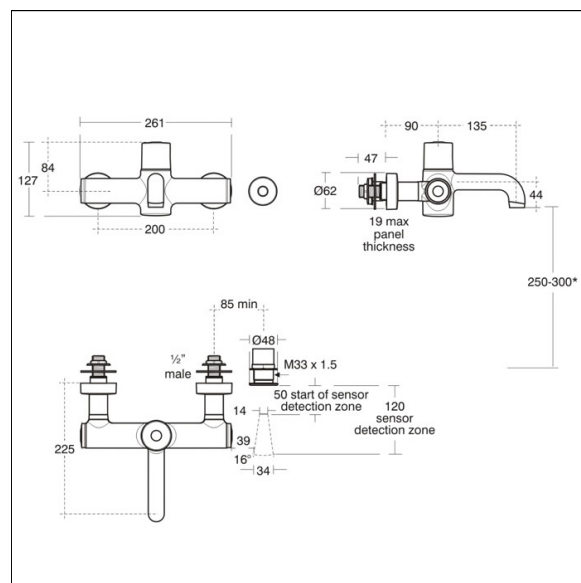
Product Code 6761SO

Armitage Shanks Markwik 21 Sensor Operated time flow hospital wall mounted thermostatic mixer tap.

Description

The HTM64 TMV3 approved thermostatic hospital taps are purposely designed for use in hospitals healthcare and commercial applications. The sensor operation is activated by hand movement and is preset to run for 1 minute, but is adjustable making it ideal for use in scrub areas, consulting rooms, doctors surgeries or anywhere that hygiene is paramount. The taps offer the following:

- Wall mounted for through wall water supply.
- Sensor operated time flow control.
- Complies with HTM64 Type TB H6, HTM04, HFN30.
- Safe-touch surface temperature, guarding against burns.
- Integral flushing system assists legionella control.
- Easy access to serviceable parts, reducing down time.



[Click here to visit Washware Essentials website](#)

WASHWARE ESSENTIALS LTD

Kestrel Court
Harbour Road
Portishead
Bristol
BS20 7AN

Phone: 01275 390603

Web: www.washwareessentials.co.uk

E-mail: enquiries@washwareessentials.co.uk

We also supply: stainless steel urinals, stainless steel & china toilets, drinking fountains and water coolers, wash troughs and wash basins, hospital sluice sinks and slop hoppers, stainless steel & china cleaners sinks, catering sinks & tables, washroom accessories, Armitage Shanks DocM packs and disabled use WC pans, solid surface wash troughs and basin units.

[Please contact us for prices on any of your requirements.](#)

**EVERYTHING YOU NEED TO FIT OUT A COMMERCIAL
WASH ROOM
SUPPLIED AT THE RIGHT PRICE ON TIME**



Bed Pan Cleaner

Product Code BPC1

Product Code BPC1

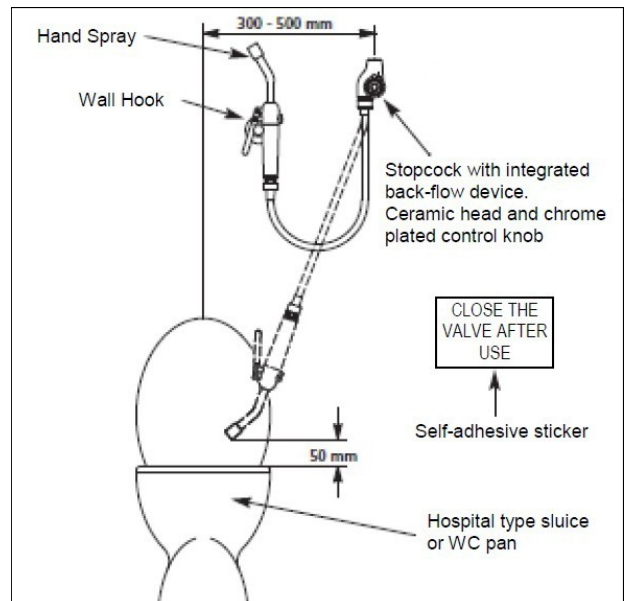
Wall mounted bed pan cleaner with trigger operated hand spray with a 65 degree nozzle.

The bed pan cleaner is designed for cleaning bed pans, bottles, and sluice sinks in hospitals, clinics, nursing homes and areas where waste is disposed.

The bed pan cleaner features a wall mounted valve with quarter turn on / off control with an integral vacuum breaker to prevent back contamination of the water supply.

The bed pan cleaner is supplied with either a chrome plated back plate elbow for exposed water supply or through wall connector for concealed water supply. 1m long reinforced white opaque nylon flexible hose with chrome plated brass trigger operated hand spray. 65 degree nozzle to aid the cleaning of bed pans. White wall hook with screws for hand spray.

Bed pan cleaners are ideal for use with our sluice sinks and hospital equipment.



[Click here to see our full range of Hospital Equipment](#)

We also supply: stainless steel urinals, stainless steel & china toilets, drinking fountains and water coolers, wash troughs and wash basins, hospital sluice sinks and slop hoppers, stainless steel & china cleaners sinks, catering sinks & tables, washroom accessories, Armitage Shanks DocM packs and disabled use WC pans, solid surface wash troughs and basin units.

Please contact us for prices on any of your requirements.

**EVERYTHING YOU NEED TO FIT
OUT A COMMERCIAL WASH ROOM
SUPPLIED AT THE RIGHT PRICE ON
TIME**

**WASHWARE
ESSENTIALS LTD**

Kestrel Court
Harbour Road
Portishead
Bristol
BS20 7AN

Phone: 01275 390603

Web: www.washwareessentials.co.uk

E-mail: enquiries@washwareessentials.co.uk