

Solid Surface Nursery Wash Trough

Product Code SSWN

The wall mounted nursery school solid surface wash troughs have been designed specifically for younger children and have a shorter projection of 325mm. This enables an easier reach to the taps. They are also suitable for older users where space is limited. The strength and durability of the solid surface material make these wash troughs an ideal solution for nursery schools, preschools, and other public wash room applications.

Styles

Wall mounted design with wall brackets and removable 150mm front fascia.

Sit-on vanity mounted design without front fascia (for mounting on vanity unit by others).

Details

325mm shorter projection.

Taplanding design for deck mounted taps.

Centre 38mm waste fitting.

Standard lengths: 1200, 1500, 1800, 2400 and 3000mm or made to measure up to 3000mm.

Smooth hygienic non-porous material which inhibits the growth of mold. Standard colour is Alpine White, but a choice of 8 colours is available for the same price. Other colour options are available to order.

Wall mounted models can be ordered with a fascia panel in a contrasting colour to the trough.

Installation

Wall mounted units are supplied complete with wall brackets for the trough to sit on. The trough has a waterproof plywood panel bonded to the underside to allow fixing to the brackets. Due to the weight of these products adequate wall fixings points will be required.

Sit-on vanity unit mounted units will require suitable support underneath the trough along the whole length.

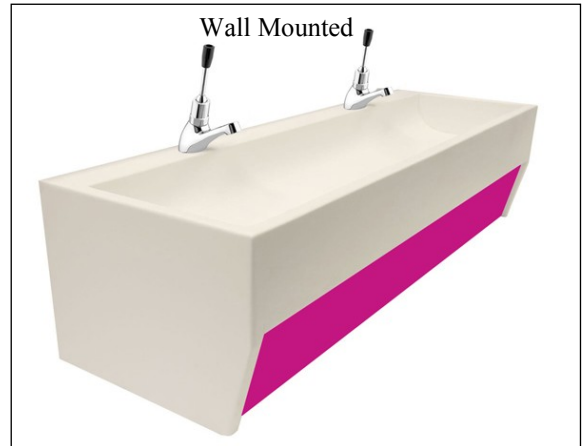
Taps

The solid surface nursery style wash troughs can be supplied with or without taps.

Colours

The solid surface wash troughs and front fascia panels can be supplied as standard in the following colours: Alpine White, Banana, Sky Blue, Marta Grey, Festival Pink, Fiery Red, Orange and Light Green.

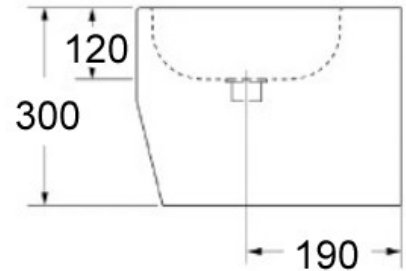
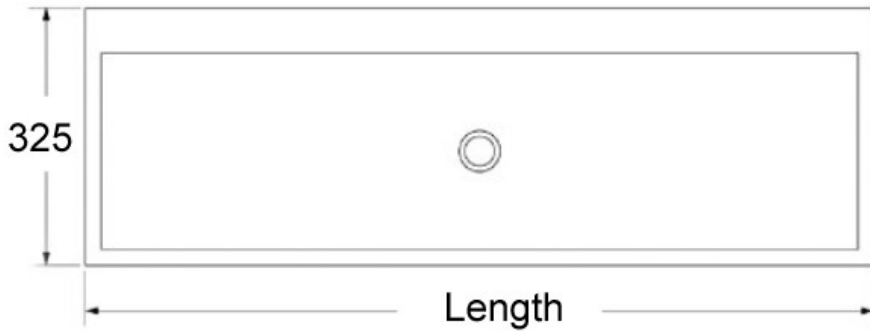
Front fascia panels can be chosen in a contrasting colour to the wash trough. (Sit-on vanity unit mounted wash troughs do not have a front fascia panel).



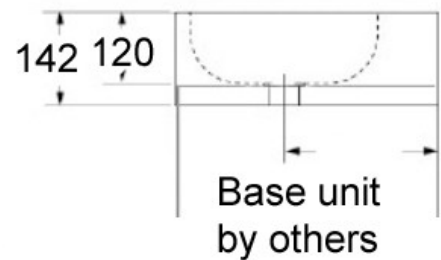
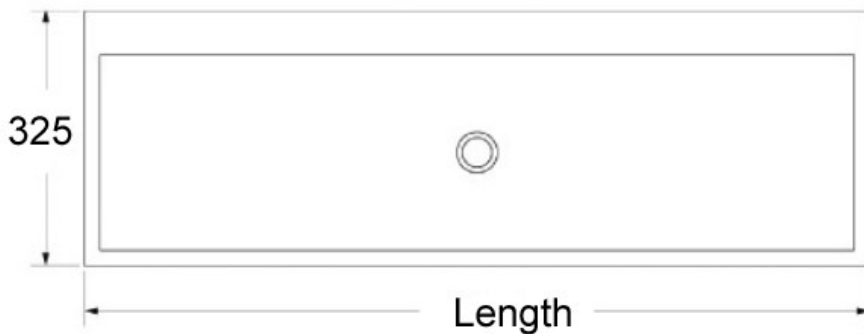
[Click here to visit Washware Essentials website](http://www.washwareessentials.co.uk)

Solid Surface Nursery Wash Trough

Wall mounted

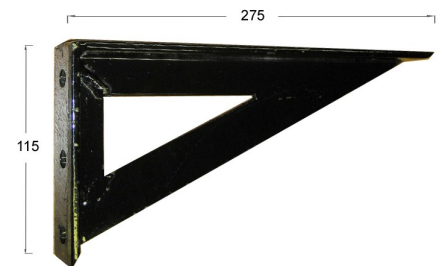


Sit-on vanity mounted



Concealed Wall Brackets

Concealed wall brackets for the wall mounted model.



HI-MACS® is made from a blend of 75% natural minerals and pigments set in an acrylic polymer matrix which inhibits the growth of bacteria and mold. HI-MACS® has an eco-friendly non-porous surface with high resistance to everyday stains, scratches and heat. Durability is similar to that of natural stone. It is a renewable material and can be recycled at the end of its lifespan. Due to its superior quality and affordability HI-MACS® offers a better alternative than similar products such as other solid surfaces materials, plastic laminate, granite, synthetic stone and tile. The solid surface wash troughs can also be manufactured in Corian material. The Corian solid surface material is manufactured by DuPont and is also a blend of natural minerals, pigments and acrylic polymer.



WASHWARE ESSENTIALS LTD

Stainless Steel Nursery Wash Trough

Product Code NWT

Stainless steel nursery wash troughs are manufactured with a short 325mm projection for ease of access to the taps, and have a rounded front edge and folded edges for safety. Manufactured from 1.6mm thick stainless steel with a satin finish.

Length

The wash trough is available to order online in five standard lengths: 1200mm, 1500mm, 1800mm, 2100mm and 2400 mm. Other sizes are available on request.

Fixing

The wash troughs come complete with integral stainless steel wall fixing brackets at each end. The rear upstand is pierced for screw fixing along the top edge. Optional stainless steel front support legs are available.

Waste Outlet

The wash troughs are supplied with a centre 38 mm (1 1/2") BSP unslotted flush grated waste fitting.

Dimensions

325mm front to back.
150mm deep with 75mm high rear upstand.

Tap Holes

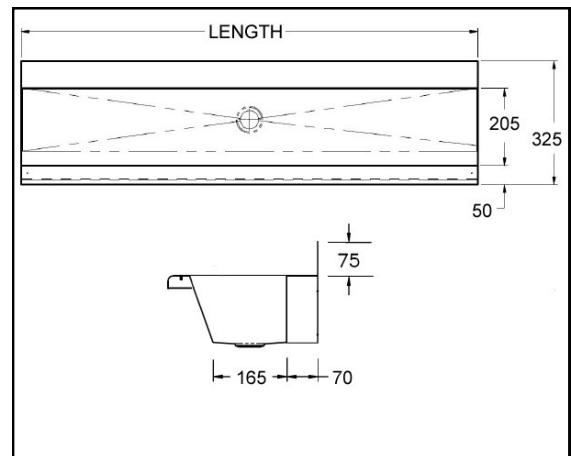
The wash troughs can be supplied with tap holes to suit your requirements. Please specify when ordering.

Optional Extras

Stainless steel front support legs.
Taps, valves and spouts.
Plastic 38mm bottle trap.
Chrome plated 38mm bottle trap with waste pipe and wall flange.



Shown with optional soft touch time flow taps



[Click here to visit Washware Essentials website](#)

We also supply: stainless steel urinals, stainless steel & china toilets, drinking fountains and water coolers, wash troughs and wash basins, hospital sluice sinks and slop hoppers, stainless steel & china cleaners sinks, catering sinks & tables, washroom accessories, Armitage Shanks DocM packs and disabled use WC pans, solid surface wash troughs and basin units.

Please contact us for prices on any of your requirements.

**EVERYTHING YOU NEED TO FIT
OUT A COMMERCIAL WASH ROOM
SUPPLIED AT THE RIGHT PRICE ON
TIME**

WASHWARE
ESSENTIALS LTD

Kestrel Court
Harbour Road
Portishead
Bristol
BS20 7AN

Phone: 01275 390603

Web: www.washwareessentials.co.uk

E-mail: enquiries@washwareessentials.co.uk



Coloured Wash Trough
Taplanding Type 400mm Projection

Product Code WTCOL

Material

Manufactured from 1.6mm thick stainless steel with a coloured finish. Powder coated white, black, red or blue, as standard for a durable hard wearing finish. Other RAL colours available but may incur an extra charge depending on the colour chosen.

Length

The wash trough is available to order online in four standard lengths: 1200 mm, 1500 mm, 1800 mm, and 2400 mm.

Fixing

The wash troughs come complete with integral stainless steel wall fixing brackets at each end. The integral splashback is pierced for screw fixing along the top edge. Optional stainless steel front support legs.

Waste Outlet

The wash troughs are supplied with a centre 38 mm (1 1/2") BSP unslotted flush grated waste fitting.

Dimensions

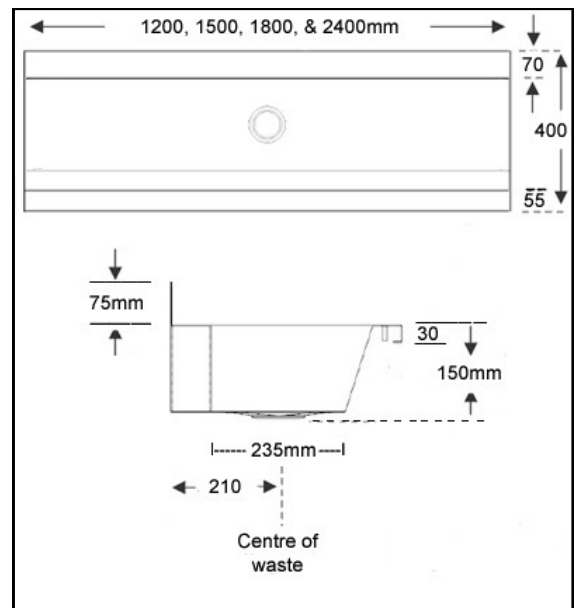
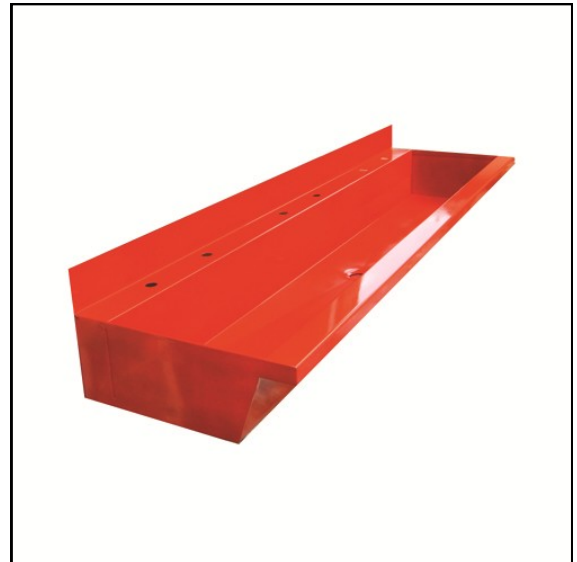
400mm front to back.
150mm deep with 75mm high integral splashback

Tap Holes

The wash troughs can be supplied with tap holes to suit your requirements. Please specify when ordering.

Optional Extras

Stainless steel front support legs.
Taps, valves and spouts.



[Click here to visit Washware Essentials website](#)

We also supply: stainless steel urinals, stainless steel & china toilets, drinking fountains and water coolers, wash troughs and wash basins, hospital sluice sinks and slop hoppers, stainless steel & china cleaners sinks, catering sinks & tables, washroom accessories, Armitage Shanks DocM packs and disabled use WC pans, solid surface wash troughs and basin units.

Please contact us for prices on any of your requirements.

**EVERYTHING YOU NEED TO FIT
OUT A COMMERCIAL WASH ROOM
SUPPLIED AT THE RIGHT PRICE ON
TIME**

**WASHWARE
ESSENTIALS LTD**

Kestrel Court
Harbour Road
Portishead
Bristol
BS20 7AN

Phone: 01275 390603

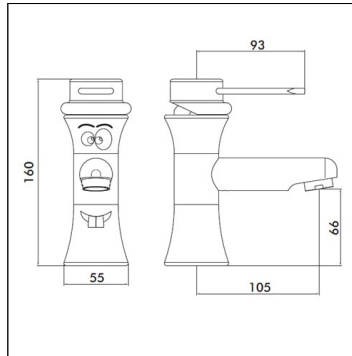
Web: www.washwareessentials.co.uk

E-mail: enquiries@washwareessentials.co.uk

Nursery School Taps Lever and Infra Red

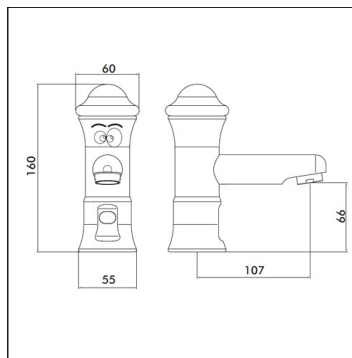
Lever Operated Nursery Tap

Lever operated nursery tap with simple on / off operation by moving the lever up / down.
Single water inlet connection for a pre mixed water supply.
Min operating pressure: 0.5 bar
Max operating pressure: 5 bar static
Max inlet temperature: 65c
Manufactured from WRAS approved materials.



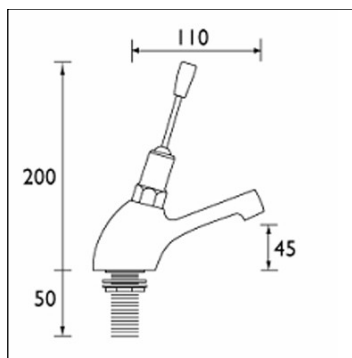
Infra Red Operated Nursery Tap

Infra red operated nursery tap with sensor operation.
Single water inlet connection for a pre mixed water supply.
Mains power supply.
Min operating pressure: 1 bar
Max operating pressure: 5 bar static
Max inlet temperature: 65c
Manufactured from WRAS approved materials.



Toggle Lever Time Flow Tap

Multi directional lever giving approx. 15 seconds flow of water.
Single water inlet connection for a pre mixed water supply.
Min operating pressure: 0.2 bar
Max operating pressure: 8 bar
Supplied with hot and cold indexes.
WRAS approved.



[Click here to visit Washware Essentials website](http://www.washwareessentials.co.uk)

We also supply: stainless steel urinals, stainless steel & china toilets, drinking fountains and water coolers, wash troughs and wash basins, hospital sluice sinks and slop hoppers, stainless steel & china cleaners sinks, catering sinks & tables, washroom accessories, Armitage Shanks DocM packs and disabled use WC pans, solid surface wash troughs and basin units.

Please contact us for prices on any of your requirements.

**EVERYTHING YOU NEED TO FIT OUT
A COMMERCIAL WASH ROOM
SUPPLIED AT THE RIGHT PRICE ON
TIME**

**WASHWARE
ESSENTIALS LTD**

Kestrel Court
Harbour Road
Portishead
Bristol
BS20 7AN

Phone: 01275 390603
Web: www.washwareessentials.co.uk
E-mail: enquiries@washwareessentials.co.uk