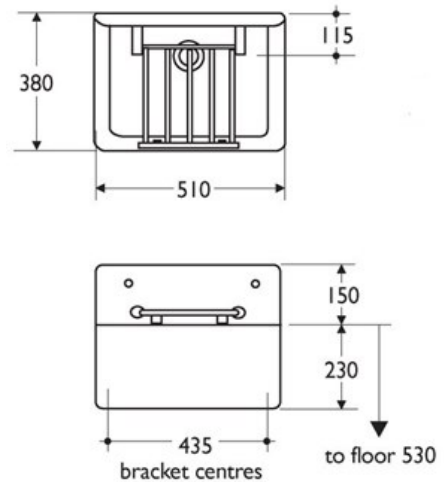


## Armitage Shanks Birch 510mm Cleaners Sink

**Product Code BIRCH5**



Armitage Shanks Birch 510mm vitreous china cleaners sink, complete with hinged stainless steel bucket grating.

**Fixings:**

Optional wall brackets and 350mm long front support legs.

**Waste Fitting:**

Optional 38mm flush grated waste fitting.

**Size:**

510mm wide.

380mm front to back.

230mm high with 150mm high splashback.

**Material:**

Vitreous china.

**Options:**

Legs and Wall brackets.

Waste Fittings.

Cross head bib taps.

Wall plate elbows for exposed water supply.

Plastic 38mm bottle trap.

650mm long front support legs.

**WASHWARE ESSENTIALS LTD**

Kestrel Court,, Harbour Road, Portishead, Bristol BS20 7AN, Phone: 01275 390603

Web: [www.washwareessentials.co.uk](http://www.washwareessentials.co.uk) E-mail: [enquiries@washwareessentials.co.uk](mailto:enquiries@washwareessentials.co.uk)