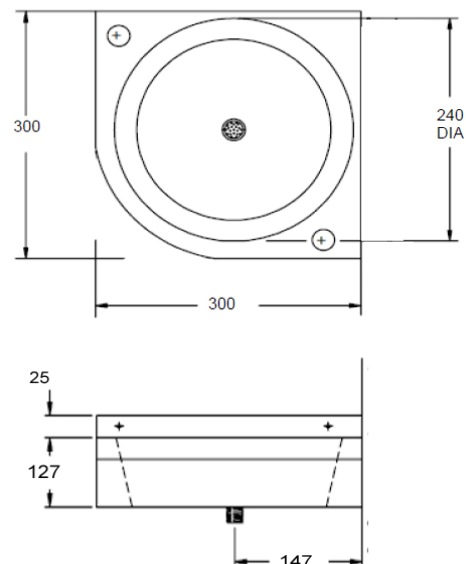


Stainless Steel Corner Wash Basin

Product Code WBC



Stainless steel wall mounted corner hand wash basin, suitable for separate and washing facilities in corners for areas with limited space.

Material:

Manufactured from stainless steel.

Fixings:

Integral screw fixings.

Tap Holes:

Supplied with two tap holes, can be converted to one tap hole by using an optional tap hole blank.

Size:

300mm wide.

300mm front to back.

125mm deep.

Waste Outlet:

Supplied with a 1 1/4" (32mm) waste, overflow, plug and chain.

Optional Extras:

Taps.

32mm plastic bottle trap.

Chrome plated 32mm bottle trap with waste pipe and wall flange.

WASHWARE ESSENTIALS LTD

Kestrel Court, Harbour Road, Portishead, Bristol BS20 7AN, Phone: 01275 390603

Web: www.washwareessentials.co.uk E-mail: enquiries@washwareessentials.co.uk