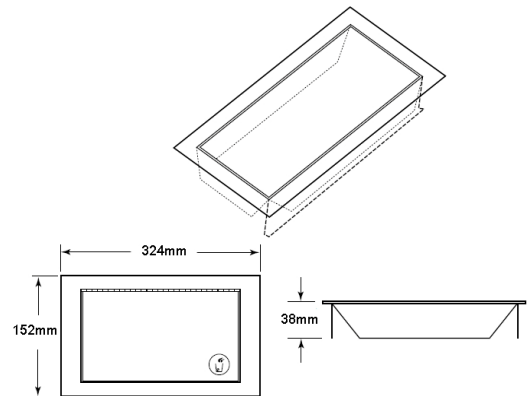


Countertop Waste Bin Flap

Product Code WFLAP



Stainless steel countertop waste bin flap with hinged self closing door. Waste door is mounted with full length spring loaded stainless steel piano hinge.

Material:

Stainless steel grade 304 frame and door with satin finish on all exposed surfaces.

Fixing:

To be mounted into countertop.