

Hospital Sink

Single Bowl - Model SK1

Description:

The sink unit model SK1 is manufactured from satin polished grade 304 stainless steel. The unit is wall mounted and complete with wall brackets. All four sides are turned down and under with an anti drip edge. Manufactured in accordance with the requirements of HTM64: Sanitary Assemblies (2006).

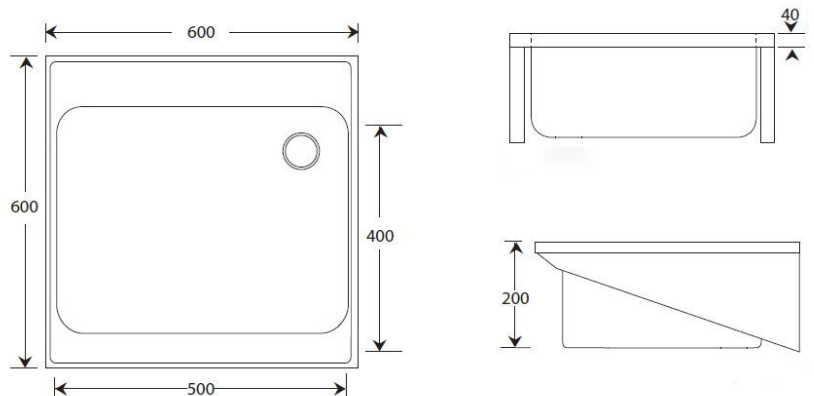


Size:

The SK1 hospital pattern single sink bowl unit has an overall size of 600 x 600 mm and a bowl depth of 200mm.

Sink Bowl:

The sink bowl is 500 x 400 x 200mm deep and supplied without an overflow. The sink can be supplied with one, two, or no tap holes.



Waste Outlet:

The sink bowl has a 1 1/2" unslotted flush grated waste fitting without overflow, plug or chain.

Options:

- One, two or no tap holes.
- Stainless steel front support legs.
- Double bowl model SK2 version is also available.
- Lever operated wall or sink taps.
- HTM64 TMV3 thermostatic wall or sink taps.

E