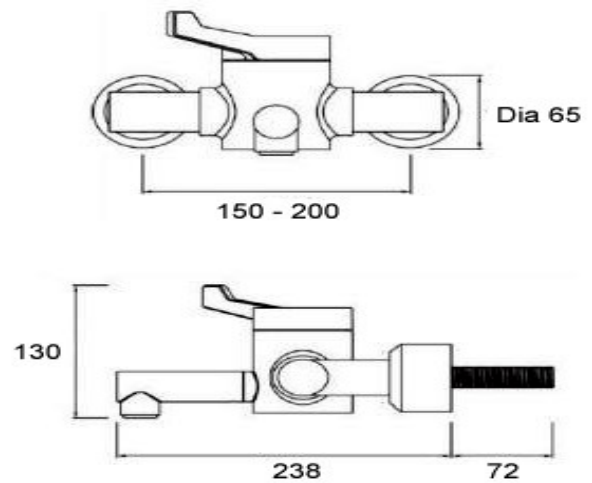


Wall Mounted Lever Hospital Thermostatic Tap

Product Code 6761



Description

The HTM64 TMV3 approved thermostatic hospital taps are purposely designed for use in hospitals, healthcare and commercial applications. Complies with NHS D08 specifications. The long sequential lever rotates smoothly through 180° and can be operated easily by either the wrist or elbows making it ideal for use in scrub areas, consulting rooms, doctors surgeries or anywhere that hygiene is paramount. The taps offer the following:

- Wall mounted for through wall water supply.
- Easy-to-use sequential lever control for temperature and flow.
- Complies with NHS D08 (formerly HTM64 Type TB H2a, and HBN 00-10) specifications.
- Safe-touch surface temperature, guarding against burns.
- Fully draining removable spout.
- Integral flushing system assists legionella control.
- Automatic thermostatic shutoff in the event of hot or cold water supply failure.
- Easy access to serviceable parts, reducing down time.
- Adjustable fixing tails to accommodate hole centres of 150 50 200mm.

Pressures

Maximum dynamic pressure: 5 bar.

Maximum static pressure: 10 bar.

Temperatures

Factory preset temperature: 43°C.

Maximum hot water supply temperature: 80°C.

WASHWARE ESSENTIALS LTD

Kestrel Court, Harbour Road, Portishead, Bristol BS20 7AN, Phone: 01275 390603

Web: www.washwareessentials.co.uk E-mail: enquiries@washwareessentials.co.uk