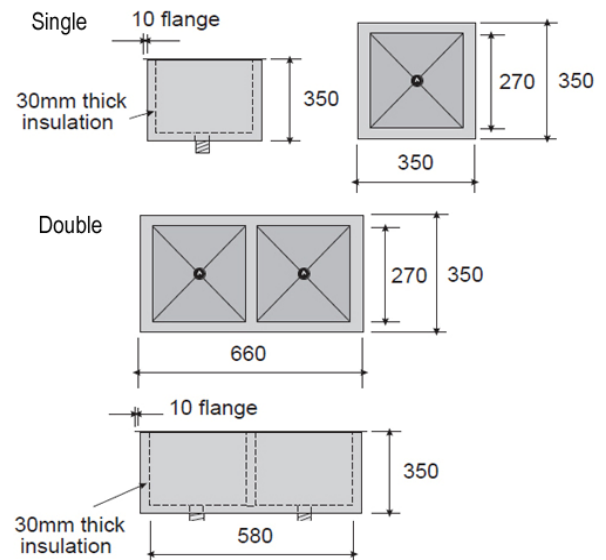


## Inset Ice Sinks Single Or Double

**Product Code INICE**



### **Inset Ice Sinks—Single or Double**

Stainless steel inset ice sinks designed to be inset into a work top.

Available in single or double versions.

Manufactured from 1.2mm thick satin polished stainless steel with 30mm insulation to all external sides.

Supplied with a stainless steel loose lid with handle.

Complete with 32mm waste fitting and plug (two wastes on the double version.)

### **Options:**

- Single or double.
- Special sizes can be manufactured.
- Freestanding ice units a frame and legs.