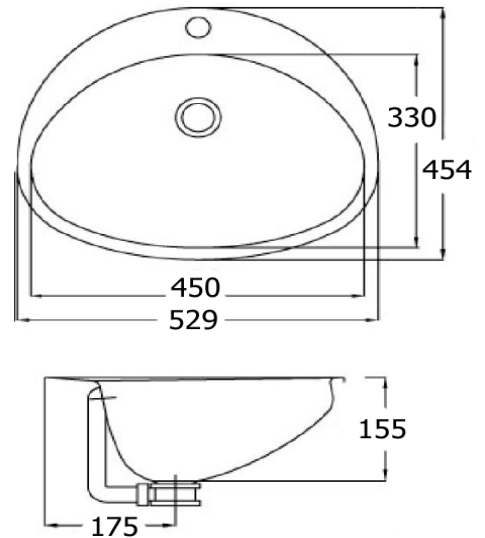


Stainless Steel Inset Oval Wash Basin

Product Code INOV



Stainless steel circular inset oval wash basin with one central tap hole.

Material:

Manufactured from stainless steel.

Size:

529mm wide.
454mm front to back.
155mm deep.

Waste Outlet:

Supplied with a 1 1/4" (32mm) waste, overflow, plug and chain.

Optional Extras:

Taps.
32mm plastic bottle trap.