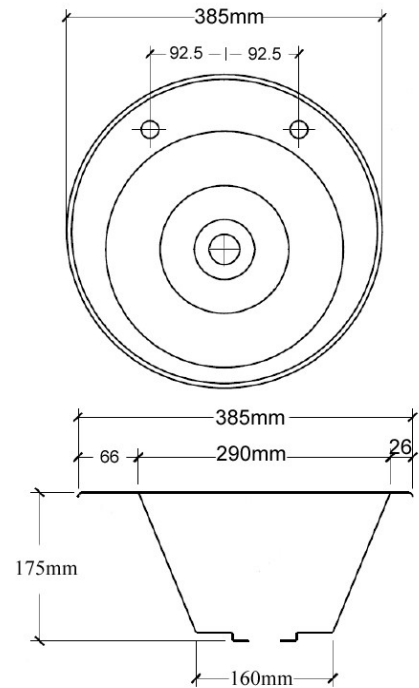


Stainless Steel Inset Wash Basin

Product Code **WBIN385**



Stainless steel inset wash basin with two tap holes and flat base.

Material:

Manufactured from stainless steel.

Size:

385mm diameter overall.
290mm internal diameter.
175mm deep.

Waste Outlet:

Supplied with a 1 1/4" (32mm) waste, overflow, plug and chain.

Optional Extras:

Taps.
32mm plastic bottle trap.