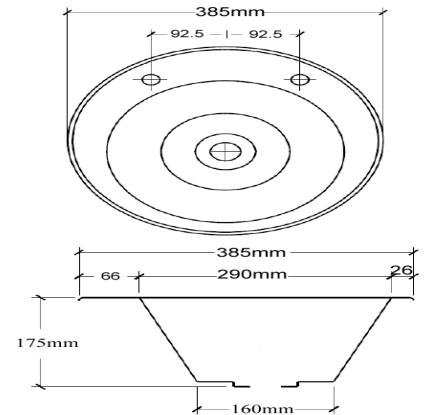




Stainless Steel Inset Wash Basin With Sensor Tap

Product Code WBIN385IRT



Stainless steel inset wash basin with two tap holes and flat base, complete with infrared sensor operated basin tap.

Material:

Manufactured from stainless steel.

Taps:

Supplied with infrared sensor operated angled basin spout with solenoid and control box (mains or battery power supply). The sensor tap operates when the users hands are in the sensor area. Supplied with one tap hole blank.

Size:

385mm diameter overall.
290mm internal diameter.
175mm deep.

Waste Outlet:

Supplied with a 1 1/4" (32mm) waste, overflow, plug and chain.

Optional Extras:

32mm plastic bottle trap.
TMV3 mixing valve.

WASHWARE ESSENTIALS LTD

Kestrel Court, Harbour Road, Portishead, Bristol BS20 7AN, Phone: 01275 390603
Web: www.washwareessentials.co.uk E-mail: enquiries@washwareessentials.co.uk