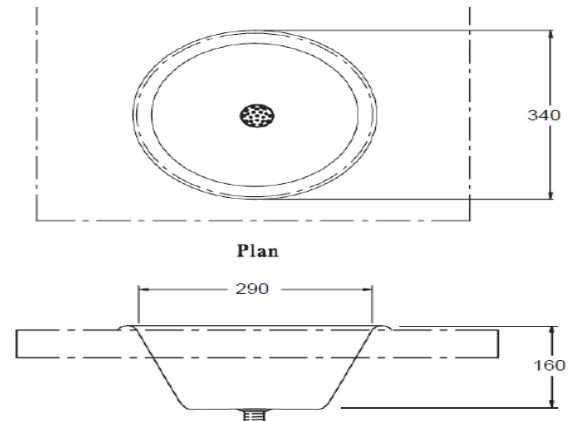


Stainless Steel Inset Wash Bowl With Sensor Tap

Product Code INWB340IRT



Stainless steel round inset wash bowl 340mm diameter with flat base. Supplied with infrared sensor tap, suitable for separate hand washing facilities where sensor operated taps are required for hygiene or operating reasons, such as kitchens or disabled toilet areas.

Material:

Manufactured from stainless steel.

Taps:

Supplied with infrared sensor operated angled basin spout with solenoid and control box (mains or battery power supply). The sensor tap operates when the users hands are in the sensor area.

Size:

340mm diameter overall.
290mm internal diameter.
160mm deep.

Waste Outlet:

Supplied with a 1 1/4" (32mm) waste, overflow, plug and chain.

Optional Extras:

32mm plastic bottle trap.
TMV3 mixing valve.