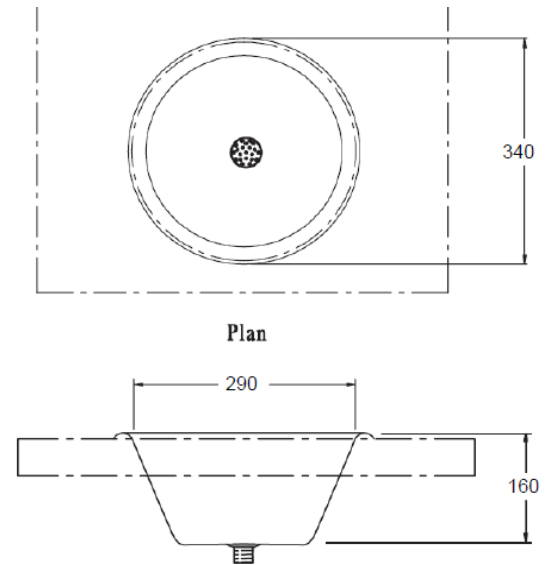


Stainless Steel Inset Wash Bowl

Product Code INWB340



Stainless steel circular inset wash bowl 340mm diameter with flat base.

Material:

Manufactured from stainless steel.

Size:

340mm diameter overall.
290mm internal diameter.
160mm deep.

Waste Outlet:

Supplied with a 1 1/4" (32mm) waste, overflow, plug and chain.

Optional Extras:

Taps.
32mm plastic bottle trap.