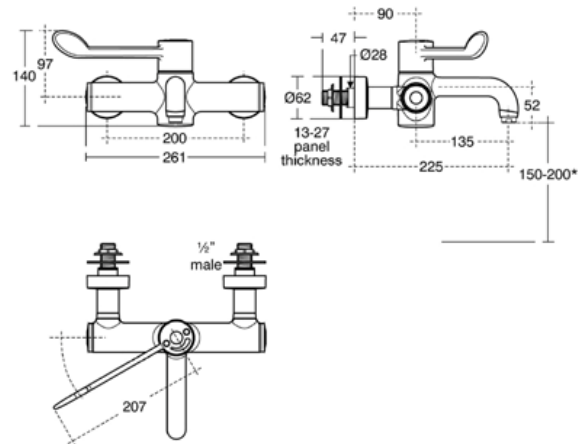


Markwik 21 HTM64 Wall Mounted Lever Hospital Thermostatic Tap

Product Code A6060AA



Armitage Shanks Markwik 21 A6060AA Thermostatic hospital tap.

Description

The HTM64 TMV3 approved thermostatic hospital taps are purposely designed for use in hospitals, healthcare and commercial applications. The long sequential lever rotates smoothly through 180° and can be operated easily by either the wrist or elbows making it ideal for use in scrub areas, consulting rooms, doctors surgeries or anywhere that hygiene is paramount. The taps offer the following:

- Wall mounted for through wall water supply.
- Easy-to-use sequential lever control for temperature and flow.
- Complies with HTM64 Type TB H2a, HTM04, HFN30.
- Safe-touch surface temperature, guarding against burns.
- Integral built in sterilisation cleansing feature (requires optional Sterilisation kit).
- Easy access to serviceable parts, reducing down time.
- This product is fitted with an Armitage Bioguard outlet which reduces the opportunity for bio film attachment and is lined with anti-microbial copper.