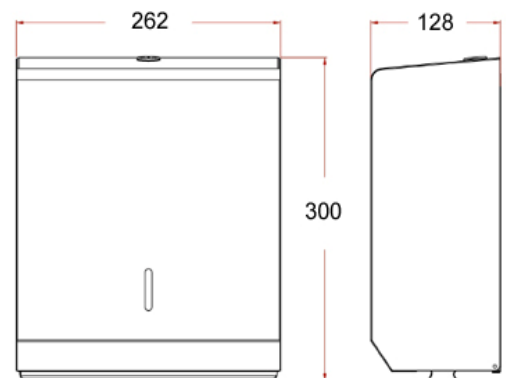


Polished Stainless Steel Paper Towel Dispenser

Product Code : PL31-POL



Stainless steel polished paper towel dispenser. Highly polished hinged front fascia with key lock. Front fill indicator. UK manufactured product.

Material:

Front fascia manufactured from 304 grade highly polished stainless steel. Back plate and towel opening manufactured from steel epoxy powder coated to eliminate any sharp edges.

Size:

300mm high.
262mm wide.
128mm deep.

Capacity:

Designed to hold 400 C fold or 525 multi fold paper towels (approx.)

WASHWARE ESSENTIALS LTD

Kestrel Court, Harbour Road, Portishead, Bristol BS20 7AN, Phone: 01275 390603
Web: www.washwareessentials.co.uk E-mail: enquiries@washwareessentials.co.uk