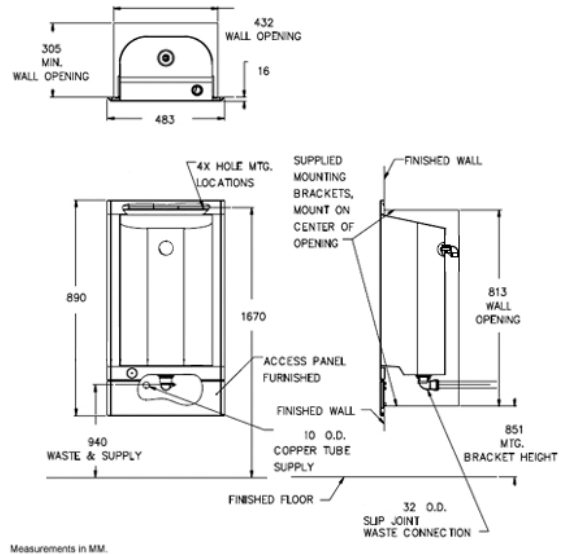


Stainless Steel Recessed Bottle Filler Station

Product Code BFS



Stainless steel recessed bottle filling station complete with press button valve, bottle filling spout and waste fitting.

Material:

The recessed bottle filler station is manufactured from 1.6 thick satin polished stainless steel for durability and vandal resistance.

Design:

The stainless steel wall recessed water bottle filling station is ideal for filling sports bottles in schools, gyms, leisure centres, and public areas.

The bottle filling station is complete with a push button control, bottle filling spout, and 32mm flush grated waste fitting. The Recessed bottle filling station fits into the wall and is secured by concealed fixing brackets.

Size:

Overall Size:

890mm High.

483mm Wide.

305mm Front to back.

Recess Size:

813mm high.

432mm Wide.

305mm Front to back.