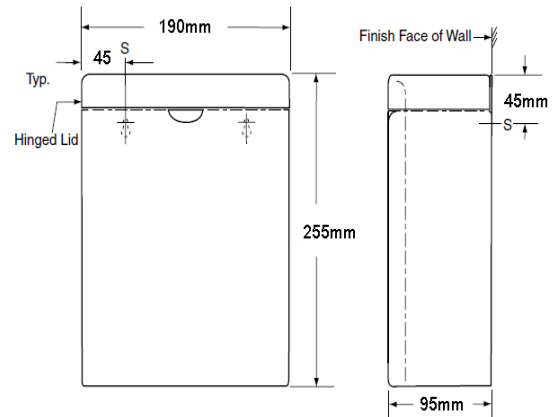


Sanitary Towel Disposal Bin

Product Code STDB



Stainless steel wall or floor mounted sanitary towel disposal bin with hinged lid. Finger recess for opening lid.

Material:

Stainless steel grade 304 construction with satin finish on all exposed surfaces. Hinged lid with full length piano hinge.

Capacity:

Approx 4 litre capacity.

Fixing:

Concealed wall fixing holes supplied with stainless steel screws (appropriate wall plugs may be required).