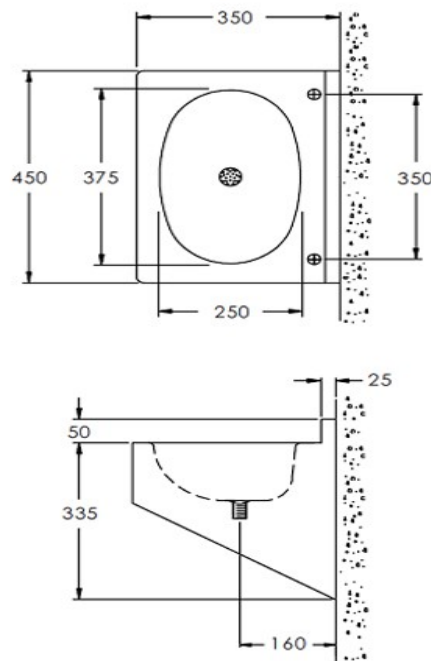


## Stainless Steel Security Wash Basin

Product Code SWB



Taps shown for illustration purposes only



Stainless steel wall mounted security wash basin, suitable for areas requiring a secure wash basin with concealed plumbing and fixings. Fixed shroud with no joints or crevices to conceal contraband.

### Material:

Manufactured from stainless steel.

### Fixings:

Secured through duct wall with concealed bolts.

### Tap Holes:

Supplied with two tap holes, can be converted to one tap hole by using an optional tap hole blank

### Size:

450mm wide.

350mm front to back.

335mm top to bottom with 50mm up stand.

### Waste Outlet:

Supplied with a 1 1/4" (32mm) waste, overflow, and captive plug. 90 degree elbow and waste pipe extension for connecting to a trap within the duct wall.

### Optional Extras:

Taps.

Tap hole blank.

### WASHWARE ESSENTIALS LTD

Kestrel Court, Harbour Road, Portishead, Bristol BS20 7AN, Phone: 01275 390603

Web: [www.washwareessentials.co.uk](http://www.washwareessentials.co.uk) E-mail: [enquiries@washwareessentials.co.uk](mailto:enquiries@washwareessentials.co.uk)