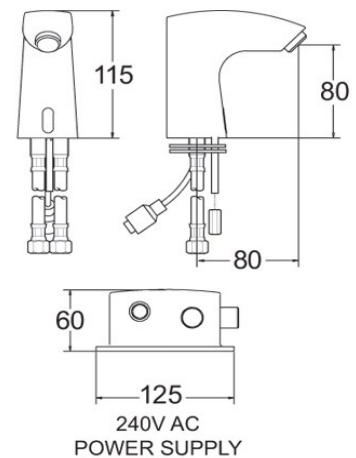


## Sensor Operated Basin Tap Mains and Battery Supply

Product Code : S1D



Electronic basin sensor tap (battery or mains powered).

- Brass body with chrome finish.
- Vandal proof tap with scratch resistant sensor window.
- Moisture and water resistant control unit.
- Turns on automatically when hands are under the spout.
- Suitable for cold or premixed water supply.
- Ideal for pubs and restaurant toilets.
- Maximum operational temperature 45°C.
- Battery operation requires 4 x AA batteries.
- Minimum pressure of 0.5 bar.
- WRAS approved
- Two years manufacturers warranty against defects.

This product can be fitted with a flow restrictor to reduce water wastage and protect the environment

### WASHWARE ESSENTIALS LTD

Kestrel Court, Harbour Road, Portishead, Bristol BS20 7AN Phone: 01275 390603  
Web: [www.washwareessentials.co.uk](http://www.washwareessentials.co.uk) E-mail: [enquiries@washwareessentials.co.uk](mailto:enquiries@washwareessentials.co.uk)