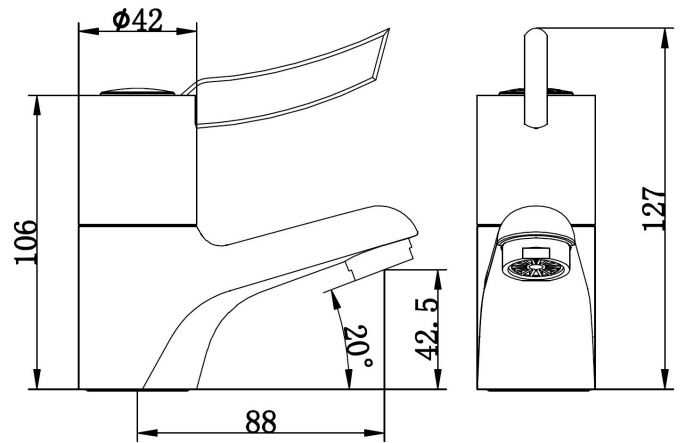


Sequential Lever Operated Mixer Tap

Product Code : LMMT



The lever operated sequential basin mixer tap is ideal for less able users. The flat lever allows the user to operate the tap with hand or wrist making it ideal for users with limited dexterity. The smooth operation of the ceramic disc cartridge ensures ease of use with strength and durability.

Material

Chrome plated brass with high polished chrome finish.
Hot and cold flexible water inlet pipes.

Specification

Ceramic disc cartridge.
Simple sequential lever operation.
35mm tap hole size required.

Max Working Pressure: 6.0 Bar.
Min Working Pressure: 0.2 Bar.
Recommended Operating Range: 2.0 to 5.0 Bar.
Flow Rate At 1.0 Bar: 7.0 litres per minute.
Inlet Connections G1/2" flexible tails.

WASHWARE ESSENTIALS LTD

Kestrel Court, Harbour Road, Portishead, Bristol BS20 7AN Phone: 01275 390603
Web: www.washwareessentials.co.uk E-mail: enquiries@washwareessentials.co.uk