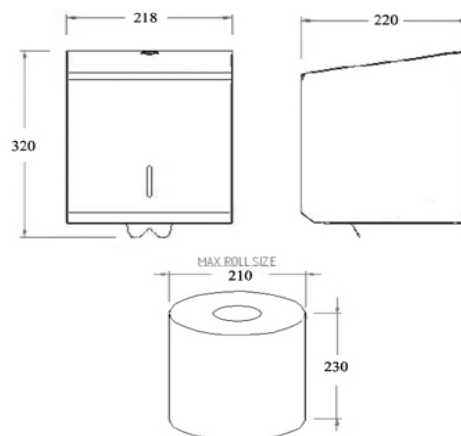


# Satin Stainless Steel Centrefeed Towel Dispenser

Product Code PL60-SAT



Stainless steel brushed satin finish centrefeed paper towel roll dispenser. Designed to take a full size perforated or non perforated paper roll. Front fill level indicator. UK manufactured product.

## Material:

Front and body manufactured from 304 grade brushed satin finish stainless steel. Back plate and towel opening manufactured from steel epoxy powder coated to eliminate any sharp edges.

## Size:

320mm high.  
218mm wide.  
220mm deep.

## Capacity:

1 roll, maximum size 230mm high x 210mm wide.

## Options:

Polished finish.

## WASHWARE ESSENTIALS LTD

Kestrel Court, Harbour Road, Portishead, Bristol BS20 7AN, Phone: 01275 390603  
Web: [www.washwareessentials.co.uk](http://www.washwareessentials.co.uk) E-mail: [enquiries@washwareessentials.co.uk](mailto:enquiries@washwareessentials.co.uk)