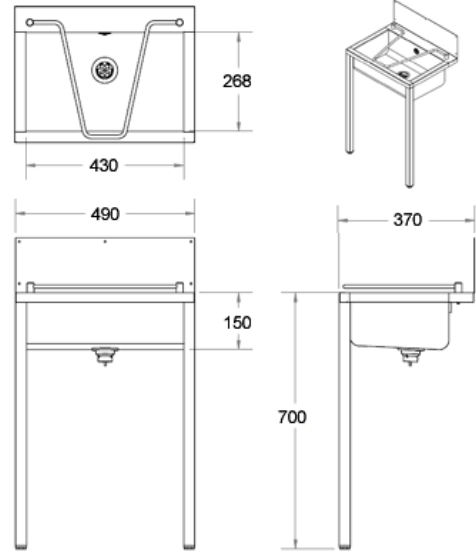


## Stainless Steel Cleaners Sink

**Product Code** SSCS



Stainless steel cleaners sink complete with front support legs, stainless steel hinged bucket grating, and 150mm high integral splash back. Wall and floor fixing points.

**Material:**

Manufactured from stainless steel with a satin finish.

**Size:**

490mm wide.  
370mm front to back.  
430 x 268 x 150mm deep bowl.  
150mm high splash back.

**Fixings:**

Front support legs 700mm long which can be cut down on site for lower applications.  
Integral wall fixing points.

**Waste Outlet:**

Supplied with a 38mm combined waste and overflow fitting with plug and chain.

**Optional Extras:**

Bib taps.  
Bib taps and wall plate elbows for exposed water supply.