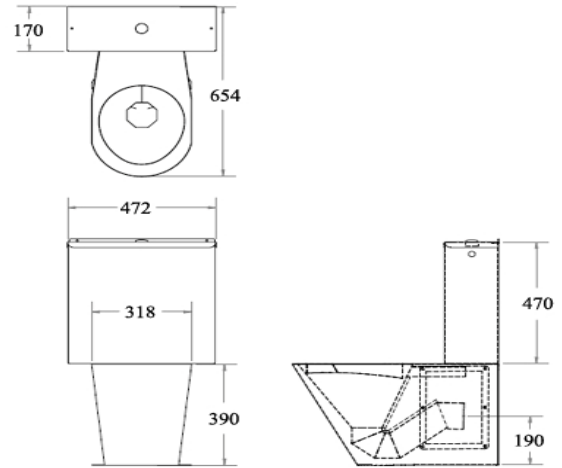


Stainless Steel Toilets Close Couple WC Suite

Product Code BCC



Material:

The stainless steel close coupled wc suite is manufactured from 1.6 and 2mm thick stainless steel with a satin polish finish. The cistern enclosure is manufactured from 1.2mm thick satin polished stainless steel.

Outlet Trap:

The WC pan is manufactured with a 100mm overall diameter horizontal outlet. It can be converted within the enclosure with a 90 degree plastic connector to an S trap for floor drains (not supplied). Removable side panels held on with security type screws allow access to connect up the trap.

Flushing Rim:

The WC pan is supplied with a full security flushing rim.

Seat:

The close coupled wc suite is supplied as standard without a seat, but can be supplied with either black rubber seat pads, or a black plastic seat and cover.

Fixings:

The close coupled wc suite is manufactured with external fixing flanges for face wall fixing, and floor fixing lugs on the wc pan.

Cistern:

The close coupled suite has a dual flush cistern with bottom inlet and overflow connections. It is operated by a dual flush push button in the top of the cistern enclosure.