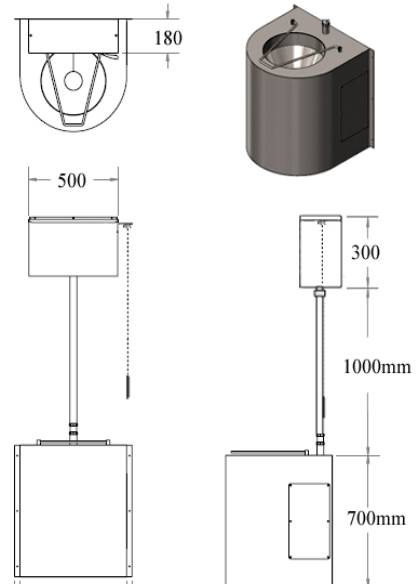


Floor Standing Sluice Sink Stainless Steel

Model DUFS



Description:

The floorstanding sluice sink is manufactured from satin polished stainless steel. The unit is floor mounted with side wall fixings, and comes complete with a hinged stainless steel bucket grating. Removable side access panel to facilitate connecting the trap and soil pipe connection.

Size:

The stainless steel floor standing sluice sink has an overall size of 600 x 600 x 700mm high.

Sluice Sink:

The floor standing sluice sink has a full flushing rim to ensure efficient and hygienic flushing. The flushpipe connection can be either top entry for an exposed cistern or back entry for a cistern concealed behind the rear wall.

Waste Outlet:

The sluice has a 110mm straight spigot outlet with the option of a polypropylene P or S trap.

Options:

Polypropylene P or S Traps.

Concealed plastic cistern with through wall operating lever.

Stainless steel high level cistern with side action lever and chain pull, high level stainless steel flushpipe.