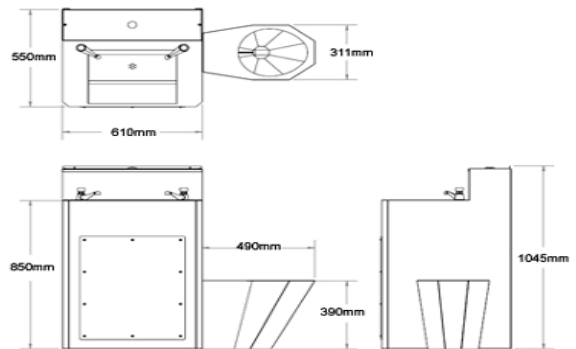


## Stainless Steel In Cell Sanitation Unit

**Product Code CELLSAN**



Stainless steel combined in cell sanitation unit comprising stainless steel wash basin and wc pan fitted to a stainless steel unit to conceal all plumbing. The plumbing is accessed through a front removable access panel held on with security fixing screws.

### **Material:**

The in cell sanitation unit is manufactured from 1.5 and 1.2mm thick satin polished stainless steel.

### **Outlet Trap:**

The WC pan is manufactured with a 100mm overall diameter horizontal outlet.

### **Flushing Rim:**

The wc pan is supplied with a full security flushing rim.

### **Seat:**

The In cell sanitation unit comes as standard without any seat, but can be supplied with seat holes, black rubber seat pads, or a black plastic seat & cover.

### **Cistern:**

The unit comes with an integral cistern with push button operation.

### **Wash Basin:**

The wash basin is supplied with a 32mm flush grated waste with no overflow, plug or chain. The basin can be supplied with one, two, or no tap holes. (Taps shown for illustration purposes only)