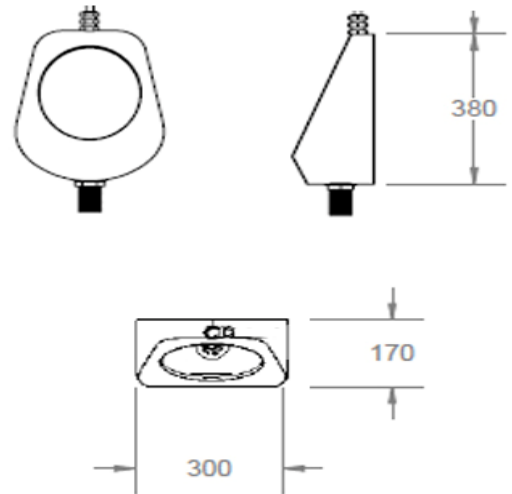


## Stainless Steel Rounded Bowl Urinal

Product Code : RBU



### Design :

The rounded bowl urinal is manufactured from 1.2mm thick stainless steel with a satin finish. The rounded bowl urinal is available as a single bowl or in range form of 1, 2, 3 or 4 bowls with cistern and pipe-work to order online, and can be ordered in ranges of up to 6 urinals by request.

### Waste:

The stainless steel rounded bowl urinals are supplied with a 38 mm (1 1/2") BSP plastic dome grated waste fitting.

### Flushing System:

The rounded bowl urinals are supplied with a water spreader with a water inlet connection to suit 15 mm diameter pipework. The water inlet connection to the flushpipe is top entry for an exposed surface mounted cistern or back entry for a concealed duct mounted cistern.

### Cistern & Flushpipe:

In range form bowl urinals are supplied with stainless steel pipework, fixing clips and pipe fittings. In range form the bowl urinals are supplied as standard with a steel automatic flushing cistern. Each cistern is complete with lid, syphon and petcock.