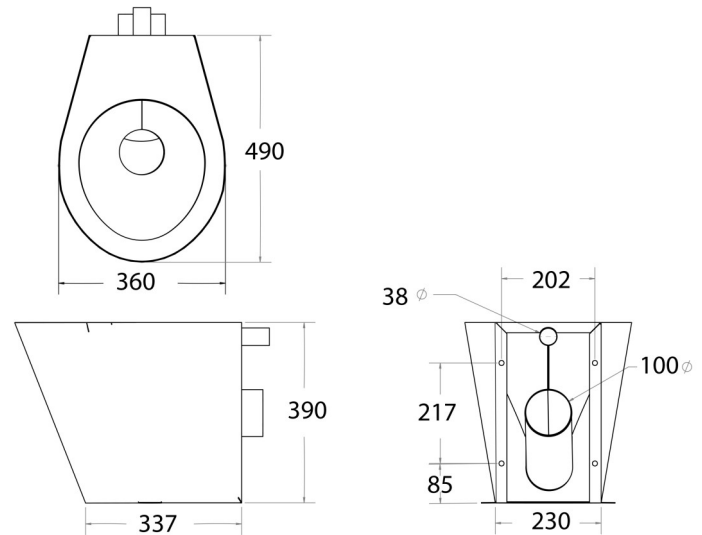


Stainless Steel Toilets

Shrouded Back To Wall Toilet

Product Code BBTWP



Material:

The back to wall shrouded wc pan is manufactured from 1.6 and 2mm thick satin polished stainless steel.

Outlet Trap:

The WC pan is manufactured with a 100mm overall diameter horizontal outlet.

Flushing Rim:

The back to wall wc pan is supplied with a full security flushing rim.

Seat:

The WC pan comes as standard without any seat, but can be supplied with seat holes, black plastic seat pads, or a black plastic seat & cover.

Inlet:

The WC pan is manufactured with a 38mm diameter flushpipe.

Fixings:

The back to wall shrouded pan is supplied with four M8 fixing bolts and angles to suit a 150mm thick wall, and two floor fixing lugs.

Cistern and Flushpipe:

As an option the WC pan can be supplied with a choice of plastic cisterns for concealed duct mounting.

Options

- Floor or wall fixing flanges
- Extended fixing bolts for thicker walls.