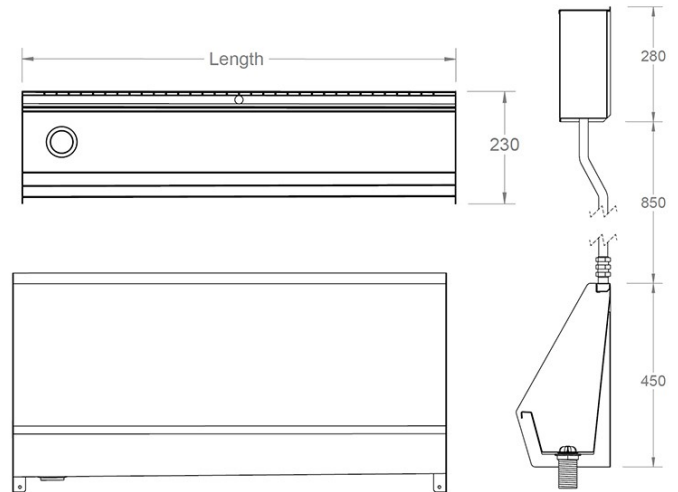


Stainless Steel Urinal Trough

Product Code UWHC



Material:

Manufactured from 1.2mm thick stainless steel with a satin finish.

Length:

The urinal is available to order online in nine standard lengths: 900mm, 1200 mm, 1500 mm, 1800 mm, 2100 mm, 2400 mm, 2700mm, 3000mm, and 3300mm. The urinal is also available manufactured in one piece in any size up to and including 3300mm.

Waste Outlet:

The urinals are supplied with a 38 mm (1 1/2") BSP white plastic dome grated waste fitting positioned left, right, or centrally.

Flushing System:

All urinals are fitted with a vandal resistant sparge pipe. The sparge pipe connection to the flushpipe is top entry for an exposed surface mounted cistern, or can alternatively be supplied with a back entry connection for a concealed duct mounted cistern.

Cistern & Flushpipe:

The urinals are supplied with a stainless steel automatic flushing cistern. Each cistern is complete with lid, syphon and petcock.

Specials:

The urinals can be supplied as two or more separate units with their own wastes and cisterns for lengths in excess of 3300mm, or for corner installations. Cover trims and / or corner cappings are supplied with these urinals.

WASHWARE ESSENTIALS LTD

Kestrel Court, Harbour Road, Portishead, Bristol BS20 7AN, Phone: 01275 390603
 Web: www.washwareessentials.co.uk E-mail: enquiries@washwareessentials.co.uk