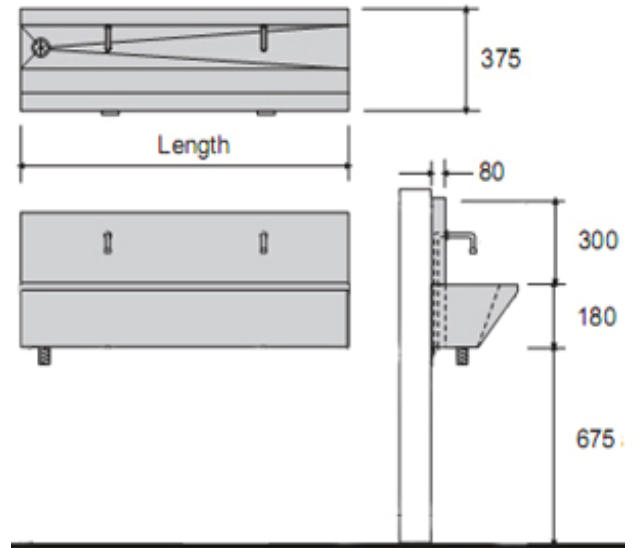


Stainless Steel Wash Trough High Splashback Type 375mm Projection

Product Code WTHS



Material:

Manufactured from 1.2mm thick stainless steel with a satin finish. High splashback for mounting wall spouts with concealed pipework connections.

Length:

The wash trough is available to order online in seven standard lengths: 1200 mm, 1500 mm, 1800 mm, 2100mm, 2400 mm, 2700mm, and 3000mm. The wash troughs can also be made to any length up to and including 3300mm.

Fixing:

The wash troughs are manufactured with integral wall fixing brackets. Optional front support legs available.

Waste Outlet:

The wash troughs are supplied with a 38 mm (1 1/2") BSP unslotted flush grated waste fitting positioned left, right, or centrally.

Dimensions:

375mm front to back. 180mm deep with 300mm high integral splashback.

Tap Holes:

The wash trough is designed for the use of bib taps or spouts mounted on the rear upstand. Please specify tap holes when ordering.

Optional Extras:

Stainless steel front support legs.