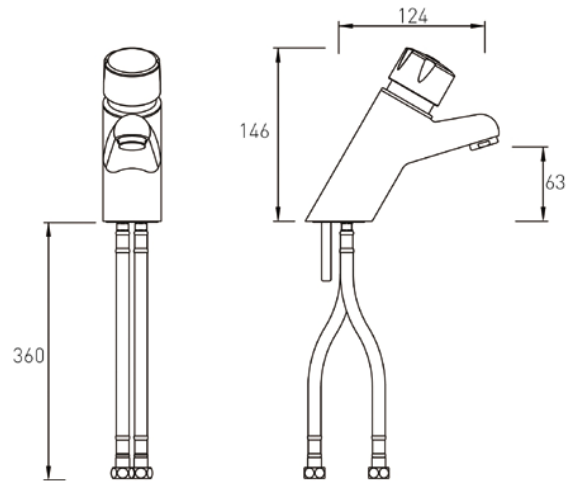


Press Button Time Flow Tap With Temperature Control

Product Code : TCTFT



Chrome plated time flow press button basin tap with adjustable temperature control. The time flow operation is ideal for unsupervised areas and for water conservation, and is ideal for use in schools, nurseries and care homes. Rotating the push button reduces or increases the water temperature. An adjustable hot water limiting device can set the maximum temperature for safety. We recommend this tap is used in conjunction with a TMV3 mixing valve.

Material:

Chrome plated brass body and head. Flexible water inlet hoses with check valves and isolators.

Specification:

Press button non concussive operation.

Variable temperature control.

The tap will run for approximately 15 seconds at 1 bar water pressure.

Pressures and Operating Conditions:

Max Inlet pressure: 5 bar.

Min inlet pressure: 1 bar.

Max inlet temperature: 65 degrees C.

Timed flow: 15 seconds at 1 bar.

WASHWARE ESSENTIALS LTD

Kestrel Court, Harbour Road, Portishead, Bristol BS20 7AN Phone: 01275 390603

Web: www.washwareessentials.co.uk E-mail: enquiries@washwareessentials.co.uk