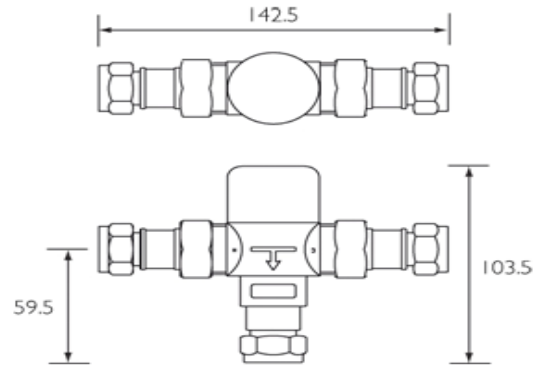


Thermostatic Mixing Valve

Product Code : TMV3



The danger of scalding arises because in order to prevent the growth of the legionella bacteria, hot water must be stored at 60°C or above. At this temperature, healthy adult skin can be severely scalded and receive third degree burns in only five seconds. It is vital that the safe delivery of hot water to an outlet is controlled. The most effective way of delivering safe hot water temperatures is by using a thermostatic mixing valve which will take the stored hot water and mix it in the correct proportions with the cold water supply to deliver a safe temperature at point of use. Thermostatic mixing valves have been designed to maintain a pre-set temperature when supply water pressures or temperatures fluctuate.

Material:

Chrome plated brass.

Specification:

Automatic shutoff in the event of hot or cold water supply failure.
 Check valves, serviceable filters and flat faced inlet connections as standard.
 Operates at a maximum pressure differential of 10:1.
 High pressure bath fill Part G compliant.

Pressures:

Minimum pressure drop: 0.1 bar.
 Maximum dynamic pressure: 5 bar.
 Maximum static pressure: 10 bar.

Temperatures:

Factory preset temperature: 43°C.
 Maximum hot water supply temperature: 80°C.

Performance with open outlet:

Pressure Drop	0.1	0.2	0.5	1	2	3	4	5
Flow Rate	5	8.5	21.5	31	-	-	-	-