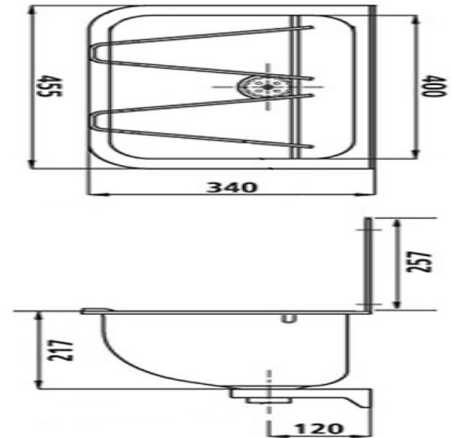


Stainless Steel Bucket Sink

Product Code BSWM



Stainless steel wall mounted cleaners bucket sink with removable bucket grating and separate splash back.
Wall fixing bracket.

Material:

Manufactured from satin polished stainless steel.

Bowl Size:

400 x 300mm x 217mm deep.

Waste Outlet:

38mm flush grated waste fitting.

Dimensions:

455mm wide.

340mm front to back.

217mm deep.

455 x 257mm splash back.

Optional Extras:

Cross head wall mounted bib taps.

6 inch lever wall mounted bib taps.

Wall plate elbows (to convert the wall mounted bib taps to exposed water supply).

Plastic 38mm bottle trap.

Chrome 38mm bottle trap with pipe and wall flange.

WASHWARE ESSENTIALS LTD

Kestrel Court, Harbour Road, Portishead, Bristol BS20 7AN, Phone: 01275 390603

Web: www.washwareessentials.co.uk E-mail: enquiries@washwareessentials.co.uk