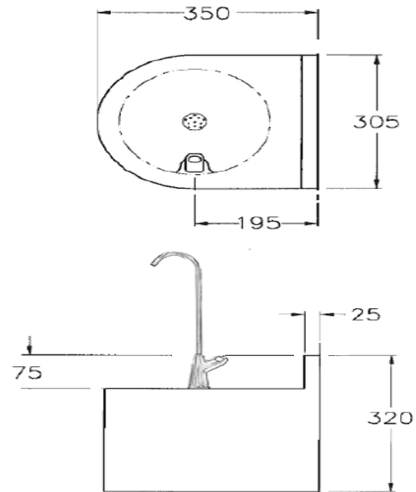


Wall Mounted Shrouded Bottle Filling Station

Product Code DFWHS-CF



Material:

The shrouded bottle filler is manufactured from 1.6 thick satin polished stainless steel for durability and vandal resistance.

Design:

The bottle filling station and undershroud has a radius front design to eliminate sharp corners and edges which makes it suitable for use in school and public buildings. The unit incorporates integral wall fixing brackets which allow the filling station to be easily installed at adult or junior height. The undershroud has a removable access panel held in place with security screws. The swan neck filler is operated by a press button and is suitable for filling bottles and cups.

Fittings:

The Drinking Fountain comes complete with integral wall fixing brackets, 32mm flush grated waste fitting, and chrome plated swan neck bottle filler valve and spout.

Options:

The drinking fountain can be supplied with a drinking water bubbler valve instead of the swan neck bottle filler.

Alternative Models Available:

- Wall mounted drinking fountain.
- Floor standing junior height drinking fountain.
- Floor standing adult height drinking fountain.
- Floor standing pedestal drinking fountain.
- Recessed drinking fountain.
- Combined drinking fountain and bottle filling station.