

Circular Wash Fountain Stainless Steel 8 User

Product Code WF8

The circular washfountain is available at 1372 mm dia. – to accommodate 8 users simultaneously. Available in adult height of 864mm or junior height of 659mm.

Operation:

WF8-H: Hand Operation: hand operated push buttons activate individual timed flow valves which can be adjusted for flow operation ranging from 5 to 60 seconds.

WF8-F: Foot Operation: individual foot operated valves activate water flow as long as the foot push button is depressed.

WF8-SO: Sensor Operation: sensor operation provides non-touch control of individual water outlets. The water flow is activated as long as the user's hands are within the bowl area. The sensor operated washfountain is supplied with a 240VAC/24VAC transformer for remote installation.

Fittings:

The washfountain is supplied fully assembled with the following fittings:
Liquid soap dispensing system built into the stainless steel spray head assembly.
Unslotted grated waste fitting with 38 OD x 100 mm long (1 1/2 OD x 4 in long) plain spigot tail piece.

Water Supply and Pressure:

Hot and cold water supply pipes should be a minimum of 22 mm diameter pedestal immediately before the TMV3 thermostatic mixing valve. For satisfactory operation a minimum 1.5 bar g. pressure is required for each supply where the water enters the washfountain pedestal. For pressures in excess of 7.0 bar g. a flow control reducing valve must be fitted.

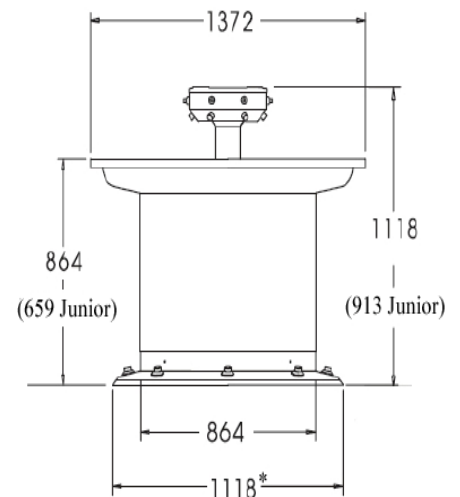
Water Consumption:

Each water outlet has a vandal resistant spray nozzle which provides a concentrated spray and is actuated by its own valve and individual user. Water consumption is limited to 1.9 litres per minute per spray nozzle.

Options:

Adult or junior height.

TMV3 thermostatic mixing valve with isolating valve and test point.



* Foot operated model only