



WASHWARE ESSENTIALS LTD

Washware 'Alder' Style Cleaners Sink

Washware 'Alder' Style Cleaners Sink

Product Code SHA-CHB

Washware 'Alder' style vitreous china cleaners sink, complete with hinged stainless steel bucket grating.

Fixings

Optional wall brackets and 350mm long front support legs.

Waste Fitting

Optional 38mm flush grated waste fitting.

Size

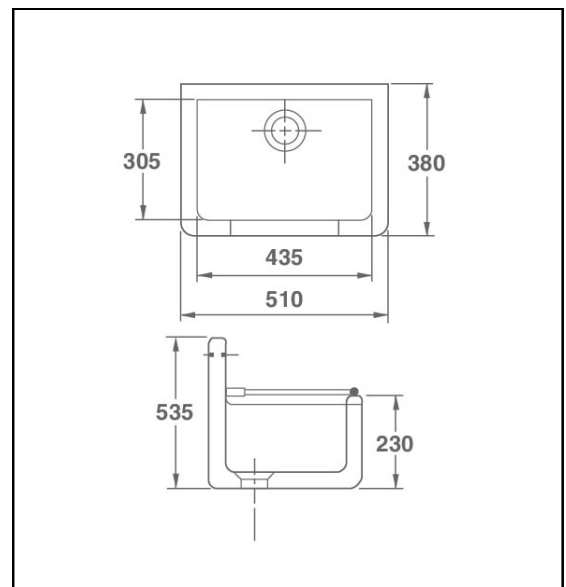
510mm wide.
380mm front to back.
230mm high with 305mm high splashback.

Material

Vitreous china

Options

Legs and wall bracket.
Waste fitting.
Cross head bib taps.
Wall plate elbows for exposed water supply.
Plastic 38mm bottle trap.
650mm long front support legs.



[Click here to visit Washware Essentials website](#)

We also supply: stainless steel urinals, stainless steel & china toilets, drinking fountains and water coolers, wash troughs and wash basins, hospital sluice sinks and slop hoppers, stainless steel & china cleaners sinks, catering sinks & tables, washroom accessories, Armitage Shanks DocM packs and disabled use WC pans, solid surface wash troughs and basin units.

Please contact us for prices on any of your requirements.

**WASHWARE
ESSENTIALS LTD**

Kestrel Court
Harbour Road
Portishead
Bristol
BS20 7AN

Phone: 01275 390603

Web: www.washwareessentials.co.uk

E-mail: enquiries@washwareessentials.co.uk

**EVERYTHING YOU NEED TO FIT
OUT A COMMERCIAL WASH ROOM
SUPPLIED AT THE RIGHT PRICE ON
TIME**