



WASHWARE ESSENTIALS LTD

## Washware 'Birch' Style 510mm Cleaners Sink

### Washware 'Birch' Style 510mm Cleaners Sink

Product Code SHA-LB20

Washware 'Birch' style 510mm vitreous china cleaners sink, complete with hinged stainless steel bucket grating.

#### Fixings

Optional wall brackets and 350mm long front support legs.

#### Waste Fitting

Optional 38mm flush grated waste fitting.

#### Size

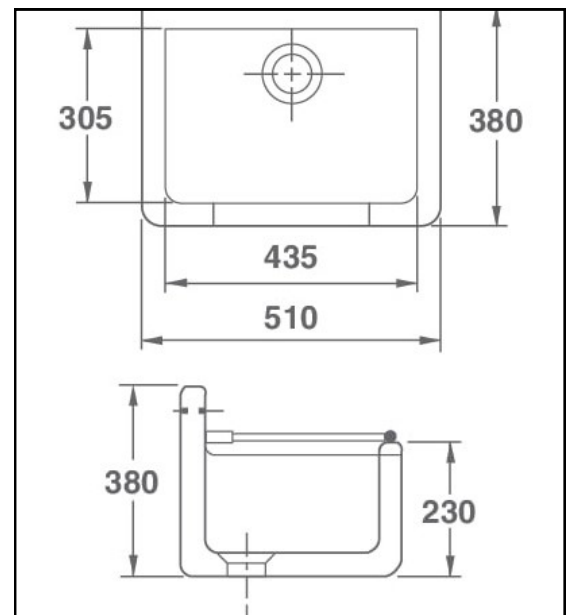
510mm wide.  
380mm front to back.  
205mm high with 150mm high splashback.

#### Material

Vitreous china

#### Options

Legs and wall brackets.  
Waste fittings.  
Cross head bib taps.  
Wall plate elbows for exposed water supply.  
Plastic 38mm bottle trap.



[Click here to visit Washware Essentials website](#)

We also supply: stainless steel urinals, stainless steel & china toilets, drinking fountains and water coolers, wash troughs and wash basins, hospital sluice sinks and slop hoppers, stainless steel & china cleaners sinks, catering sinks & tables, washroom accessories, Armitage Shanks DocM packs and disabled use WC pans, solid surface wash troughs and basin units.

Please contact us for prices on any of your requirements.

**WASHWARE  
ESSENTIALS LTD**

Kestrel Court  
Harbour Road  
Portishead  
Bristol  
BS20 7AN

Phone: 01275 390603

Web: [www.washwareessentials.co.uk](http://www.washwareessentials.co.uk)

E-mail: [enquiries@washwareessentials.co.uk](mailto:enquiries@washwareessentials.co.uk)

**EVERYTHING YOU NEED TO FIT  
OUT A COMMERCIAL WASH ROOM  
SUPPLIED AT THE RIGHT PRICE ON  
TIME**