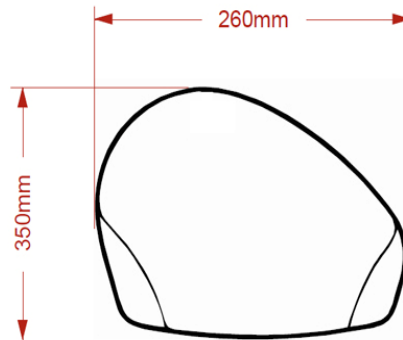


Washware Jumbo Toilet Roll Holder

Product Code : WJTRH



Black plastic and stainless steel jumbo toilet roll holder. Practical design allows a full roll to be fitted alongside a partially depleted roll to reduce paper waste. Appealing black plastic body with stainless steel coverplate makes an attractive design for modern washroom and toilet areas. Strong durable construction which is easy to refill.

Material:

ABS black plastic cover and backplate.
Stainless steel coverplate.
PET plastic window.

Fixing:

Internal concealed wall fixing holes.

Operation:

The unit takes one full size toilet roll up to 200mm diameter, 110mm width with a core size 50 to 65mm. The unit also takes one partially depleted toilet roll up to 100mm diameter. Hinged fascia allows toilet rolls to be replenished. Side viewing level indicator.